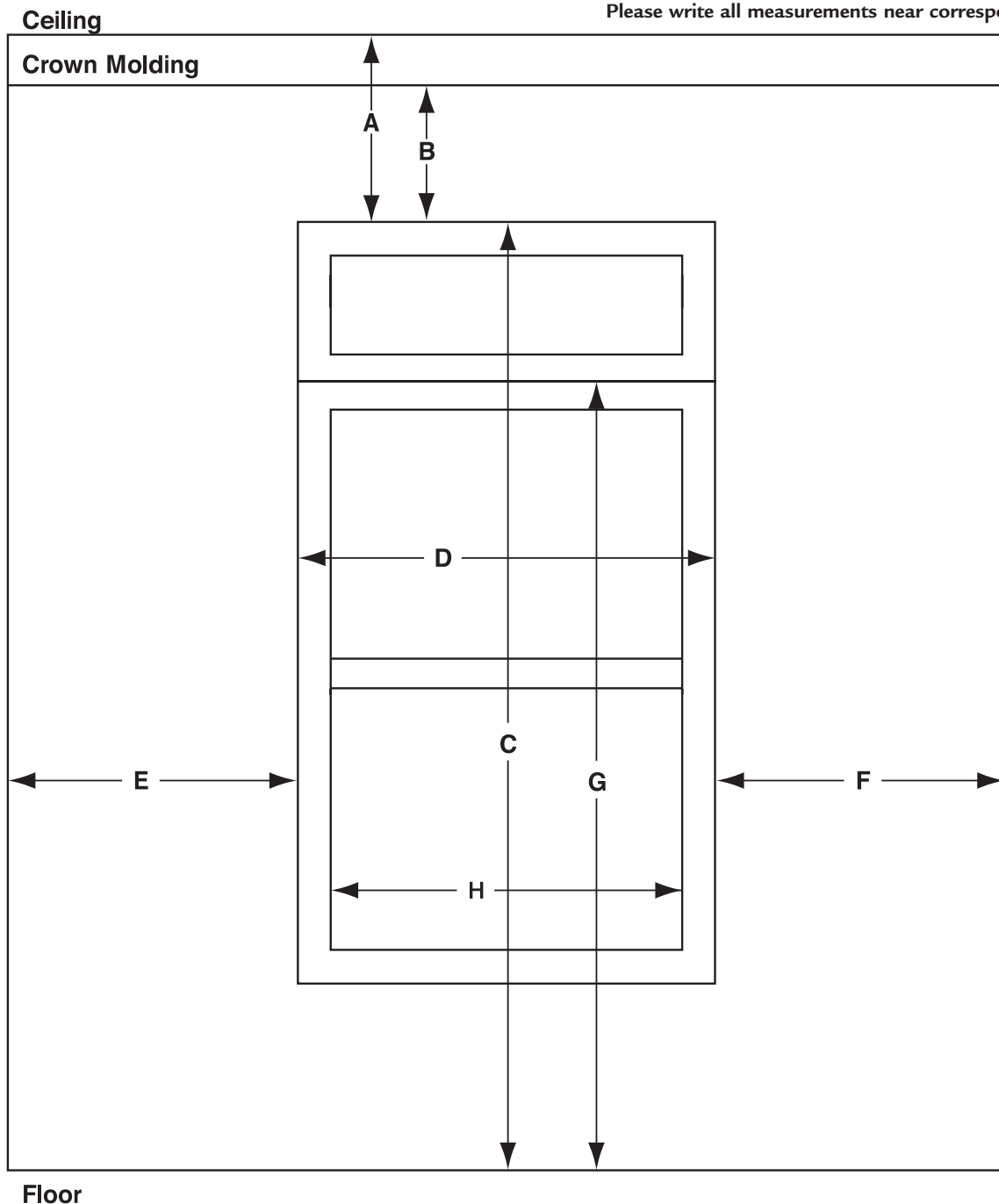


Window with a Transom

Measure windows accurately using metal tape

- A** - From ceiling to top of transom frame. If you have crown molding do measurement “**B**” instead of “**A**”.
- B** - From bottom of crown molding to top of transom frame.

- C** - Top of transom frame to floor
- D** - Outside of frame to outside of frame.
- E** - Free wall space to left of window.
- F** - Free wall space to right of window.
- G** - Bottom of transom frame to floor.
- H** - Glass width



Floor